

Muirsis Quick Start Guide

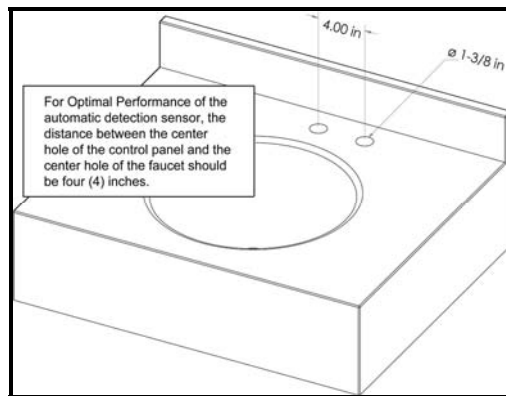
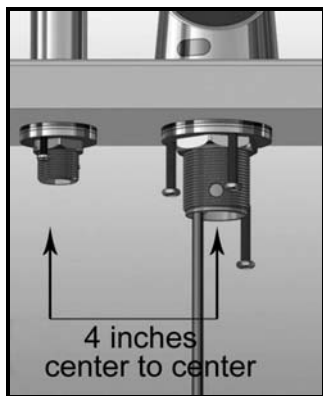
Please read this page before attempting to install your new Muirsis product

Your Muirsis product comes complete with the following parts:

- Faucet Body
- Control Panel
- Control Box with mounting screws
- AC adapter
- Neoperl Laminar Aerator for the Healthcare Industry
- Vandal Proof Aerator Key
- Optional anti-splash spout adaptor
- 24" braided water supply hose
- 8 – AA batteries

Please contact Muirsis Medical Customer Support representatives for any questions, concerns or comments at 714-579-1555 or customersupport@muirsismedical.com

Installation Diagrams



- *The distance between the center of the control panel and the center of the faucet should be 4 inches.*
- *The center of the control panel and the center of the faucet should be in line.*
- *The surface of the countertop should be flat.*
- *The hole for the control panel should be 1 3/8" in diameter.*
- *Remove the protective covers from the automatic sensor and the control panel face after installation has been completed.*
- *Do not install the faucet in direct sunlight. Direct sunlight will disable the operation of the sensors.*