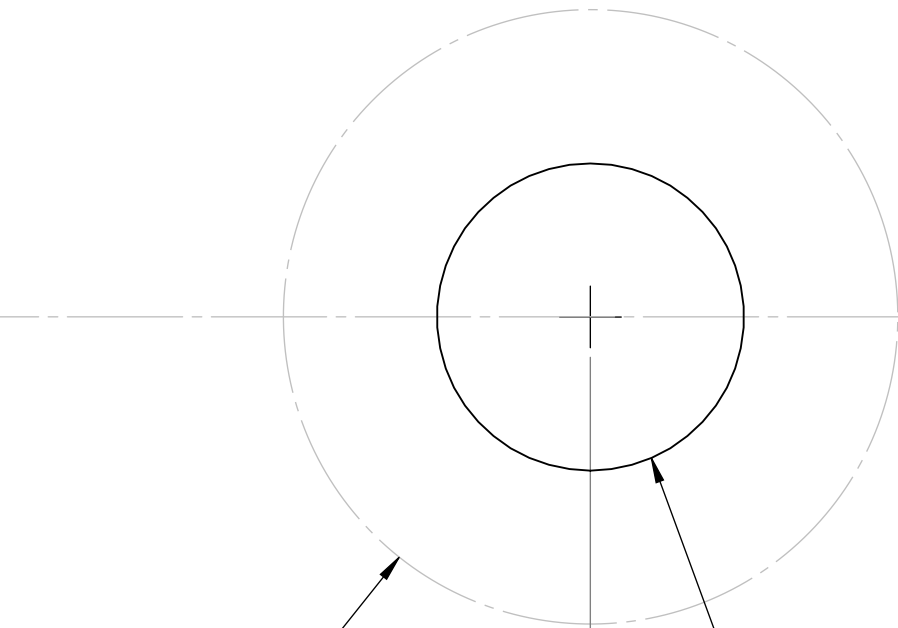
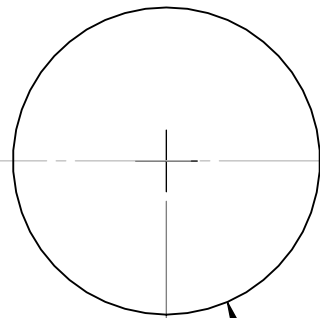


# Template

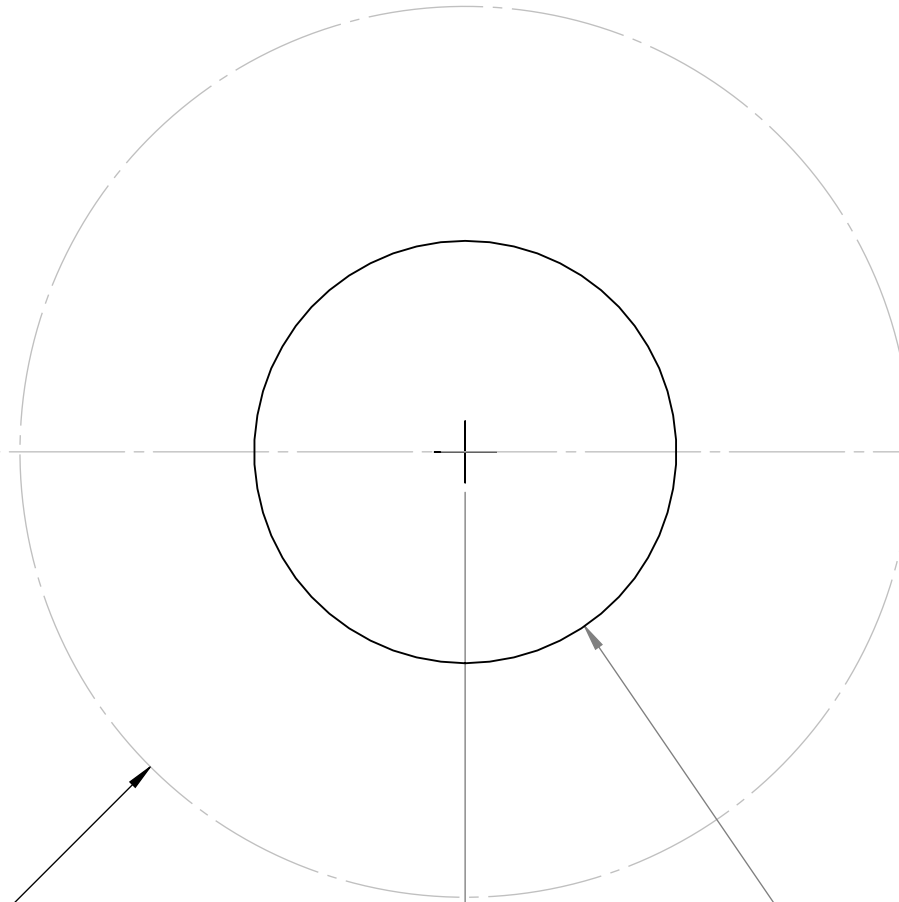


Ø 2.00 in

**Faucet Base**

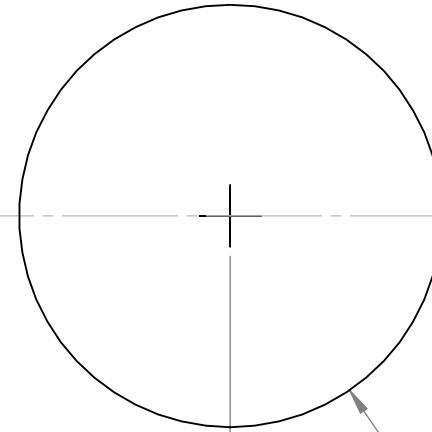


**Faucet Hole**



Ø 2.90 in

**Control Panel Base**



Ø 1.38 in

**Control Panel Hole**

4.00 in